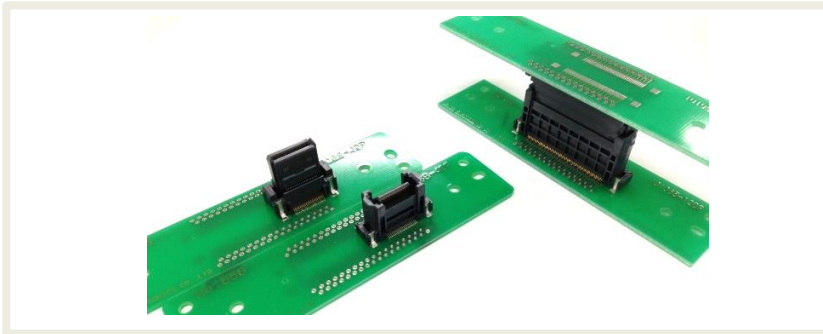


10106 SERIES

Two contact point Floating Board to Board Connectors



■ Two contact points structure ensures complete connection

■ Floating function offsets mating positional error

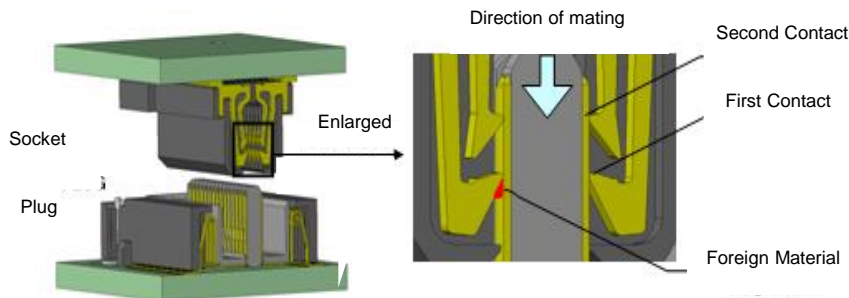
■ 0.5mm pitch B to B connector

This is a 0.5mm pitch, Board to Board, SMT type connector with a two contact points structure. The first contact remove foreign materials (contamination) and ensure perfect connection with either one or two contact points. Even if the first contact were on foreign material, the second contact still be securely touching the contact surface.

Features

- 0.5mm pitch Floating B to B connector
- Two contact points structure ensure complete connection under the condition where there is foreign materials
- Offset mating positional error with floating (movable) range in X,Y \pm 0.8mm, Z \pm 0.5mm.
- Compliant with RoHS

Two contact point structure ~Remove foreign materials~

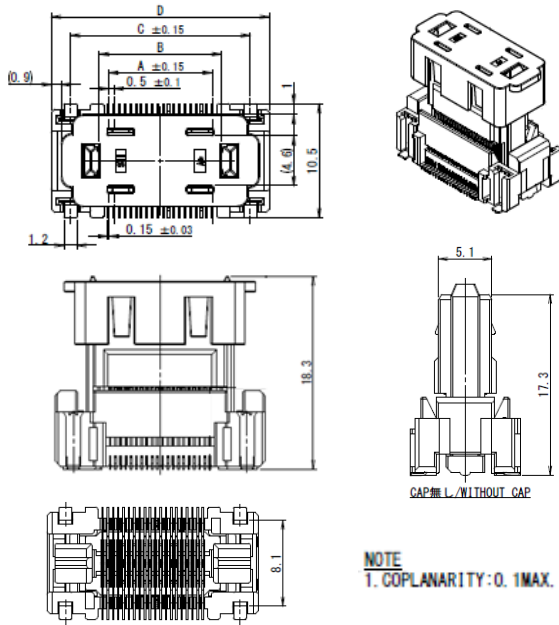


Specification

1	Series No.	10106
2	Pitch	0.5mm
3	No. of contact	40~140P
4	Connection type	Straight (ST)
5	Mating height	25mm, 30mm
6	Current rating	0.5A
7	Voltage rating	50V (AC,DC)
8	D.W. voltage	AC250V (1min)
9	Insulation Resistance	500M Ω or more
10	Contact Resistance	100m Ω or below
11	Operating temperature	-40 $^{\circ}$ C~+105 $^{\circ}$ C
12	Movable (Floating) range	X,Y \pm 0.8mm, Z \pm 0.5mm
13	Plating	Au plating over Ni

10106 SERIES

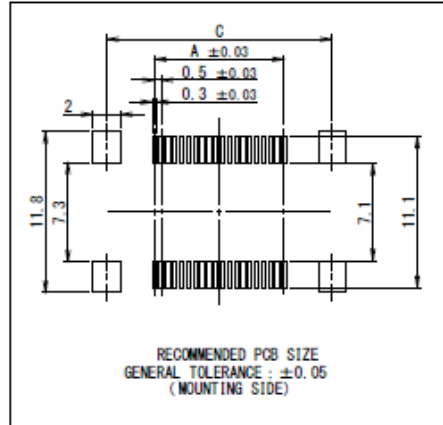
IMSA-10106S-** □-□□



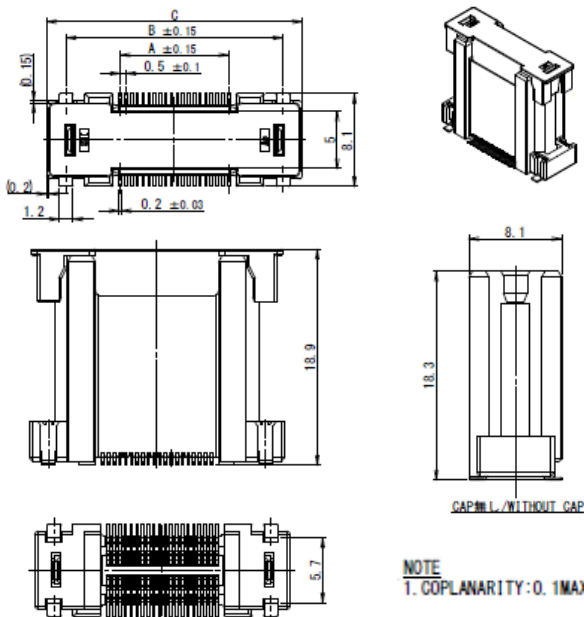
SERIES 10106 SOCKET

CKT	PRODUCTS No.	A	B	C	D
40	10106S-40*~***	9.50	11.20	16.50	20.00
60	10106S-60*~***	14.50	16.20	21.50	25.00
120	10106S-120*~***	29.50	31.20	36.50	40.00
140	10106S-140*~***	34.50	36.20	41.50	45.00

*If there is any inquiries about No. of contacts, please contact us



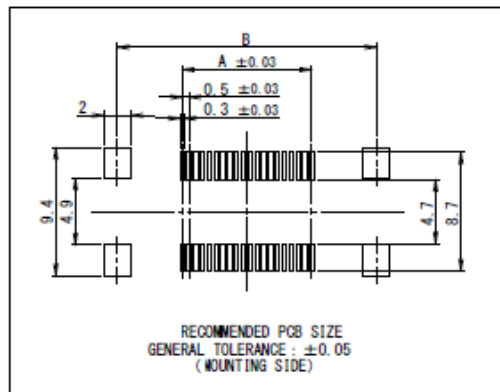
IMSA-10106B- ** □-□□



SERIES 10106 PLUG

CKT	PRODUCTS No.	A	B	C
40	10106B-40*~***	9.50	19.00	22.40
60	10106B-60*~***	14.50	24.00	27.40
120	10106B-120*~***	29.50	39.00	42.40
140	10106B-140*~***	34.50	44.00	47.40

*If there is any inquiries about No. of contacts, please contact us



IRISO U.S.A., INC.

34405 West Twelve Mile Road, Suite 237 Farmington Hills, MI 48331, U.S.A.
TEL: 248-324-9780 FAX: 248-324-9783

*Specification is subject to change without prior notice for improving performance of the product and so on.
*Dimension and specification described herein are limited to major items. When applying the products, please confirm details on drawing and specification sheets which will be provided upon request.

www.irisconnectors.com