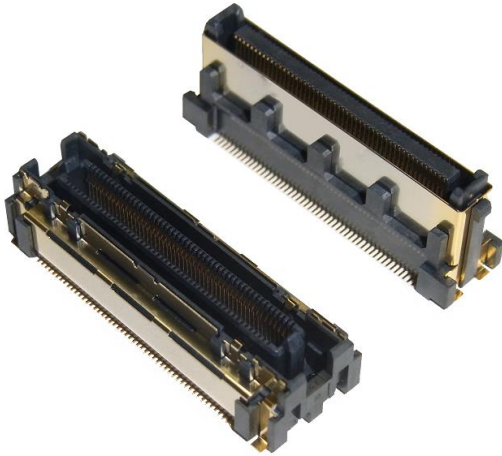


# 10103 SERIES

## Board to Board Connectors



- 0.5mm pitch
- Floating Type
- High-Speed Transmission
- EMI Solution by Metallic Shell

The [10103 series](#) is 0.5mm-pitch, floating(Connector self alignment) type board to board connector for high-speed transmission.

This is suitable solution for the applications which are used high speed serial transmission such as LCD cluster panel, car AVN, and other latest electronic devices.

This connector delivers you an excellent EMI solution with an excellent mechanical feature which absorb assembly tolerance made by chassis, PCB, board mounting, etc.

### Features

- Board to board floating structure(Self alignment function)
- Movable ranges are  $\pm 0.5\text{mm}$  on the X and Y axes.
- Applicable to V-by-one(r)HS specification
- Bandwidth : 600Mbps~3.75Gbps
- Supporting 100 $\Omega$  impedance, high speed transmission which is equivalent to HDMI
- EMI solution by metallic shell
- RoHS compliant
- Automatic mounting (embossed package)

### Specification

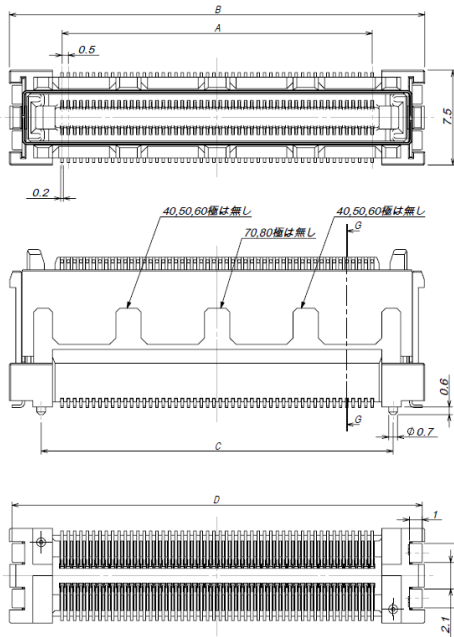
	10103B/S
①Application/Parts No.	Stacking TYPE
	IMSA-10103B-**A□□□ IMSA-10103S-**A□□□
②Pitch	0.5mm
③No.of contacts	40,50,60,70,80,90,100,110,120,130,140P
④Height	10,12,14,16,18,20mm
⑤Rated Voltage	150V(AC)
⑥Rated Current	0.5A
⑦Bandwidth	600Mbps~3.75Gbps
⑧Impedance matching	100 $\Omega$
⑨Working Temperature Range	-40~+105°C
⑩Finish	Over Ni Plate, Au Plate

# 10103 SERIES

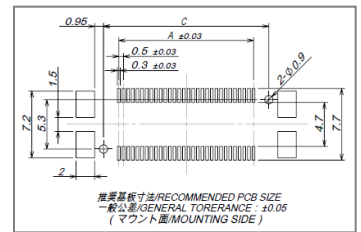
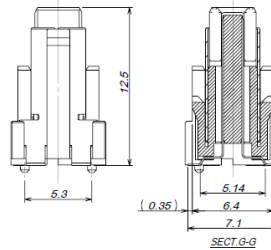
IMSA-10103B-xxA-□□□

SERIES 10103 PLUG

EMBOSSED PACKAGE; IMSA-10103B-xxY□□□



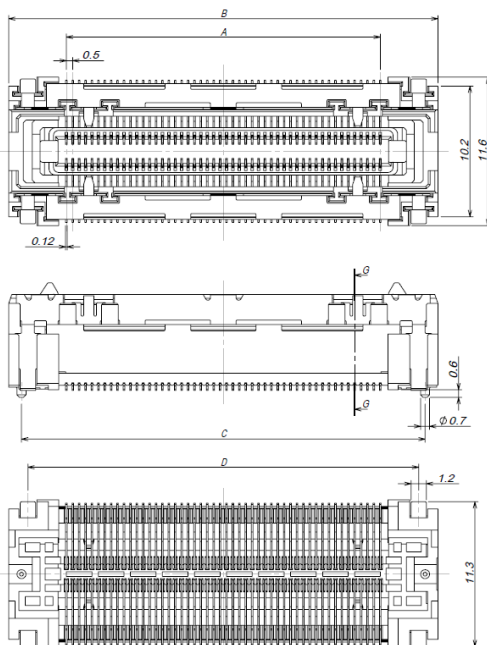
極数 CKT	部品番号 PARTS No.	A	B	C	D	E
40	10103B-40A-***	9.50	17.80	12.80	17.40	20.50
50	10103B-50A-***	12.00	20.30	15.30	19.90	23.00
60	10103B-60A-***	14.50	22.80	17.80	22.40	25.50
70	10103B-70A-***	17.00	25.30	20.30	24.90	28.00
80	10103B-80A-***	19.50	27.80	22.80	27.40	30.50
90	10103B-90A-***	22.00	30.30	25.30	29.90	33.00
100	10103B-100A-***	24.50	32.80	27.80	32.40	35.50
110	10103B-110A-***	27.00	35.30	30.30	34.90	38.00
120	10103B-120A-***	29.50	37.80	32.80	37.40	40.50
130	10103B-130A-***	32.00	40.30	35.30	39.90	43.00
140	10103B-140A-***	34.50	42.80	37.80	42.40	45.50



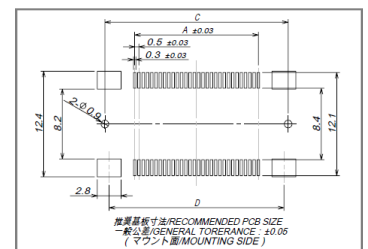
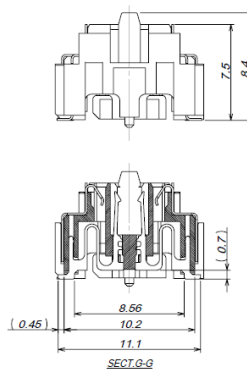
IMSA-10103S-xxA-□□□

SERIES 10103 SOCKET

EMBOSSED PACKAGE; IMSA-10103S-xxY□□□



極数 CKT	部品番号 PARTS No.	A	B	C	D	E
40	10103S-40A-***	9.50	18.50	16.50	15.50	21.20
50	10103S-50A-***	12.00	21.00	19.00	18.00	23.70
60	10103S-60A-***	14.50	23.50	21.50	20.50	26.20
70	10103S-70A-***	17.00	26.00	24.00	23.00	28.70
80	10103S-80A-***	19.50	28.50	26.50	25.50	31.20
90	10103S-90A-***	22.00	31.00	29.00	28.00	33.70
100	10103S-100A-***	24.50	33.50	31.50	30.50	36.20
110	10103S-110A-***	27.00	36.00	34.00	33.00	38.70
120	10103S-120A-***	29.50	38.50	36.50	35.50	41.20
130	10103S-130A-***	32.00	41.00	39.00	38.00	43.70
140	10103S-140A-***	34.50	43.50	41.50	40.50	46.20



\*Specification is subject to change without prior notice for improving performance of the product and so on.  
\*Dimension and specification described herein are limited to major items. When applying the products, please confirm details on drawing and specification sheets which will be provided upon request.

**IRISO U.S.A., INC.**

34405 West Twelve Mile Road, Suite 237 Farmington Hills, MI 48331, U.S.A.  
TEL: 248-324-9780 FAX: 248-324-9783

[www.irisoconnectors.com](http://www.irisoconnectors.com)  
For more info: [info@irisoconnectors.com](mailto:info@irisoconnectors.com)