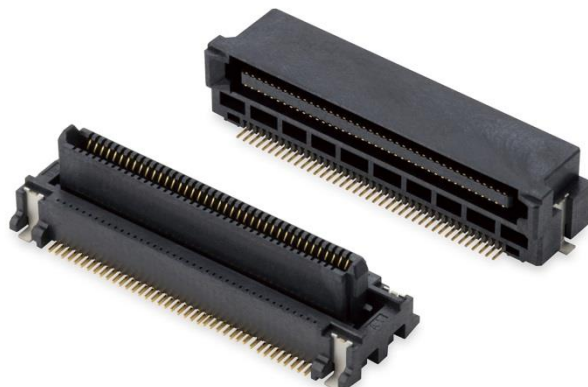


10104 SERIES

High Speed Floating Board to Board Type Connector



- High Speed Signal Transmission with Floating Function
- Right Angle type
- 0.635mm Pitch

The 10104 series is a 0.635mm-pitch, Board to Board connector. High speed signal transmission (3.0Gbps) capability is available. Floating range is $\pm 0.5\text{mm}$ in X,Y,Z directions. It can be used for variety of industrial and automotive application. For example, Car Navigation, Broadcast Equipment and Factory Automation.

Features

- Floating range is X,Y,Z $\pm 0.5\text{mm}$, which reduce the stress on soldering point while assembly.
- It can be used for large capacity data transmission system.
- 100 Ω impedance matching.
- Compliant with RoHS.

Specifications

1	Series No.	10104
2	Pitch	0.635mm
3	No. of contact	30~80P
4	Connection type	RA
5	Current rating	0.5A
6	Voltage rating	50V (AC,DC)
7	D.W. voltage	AC250V(1min)
8	Insulation Resistance	500M Ω or more
9	Contact Resistance	100m Ω or below
10	Operating temperature	-40~+105°C
11	Movable (Floating) range	X,Y,Z $\pm 0.5\text{mm}$
12	Plating	Au plating over Ni
13	Signal Transmission rate	3.0Gbps

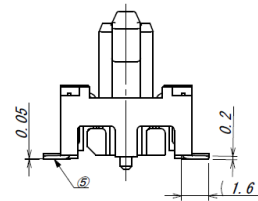
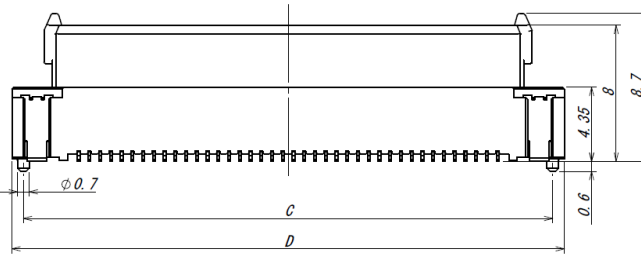
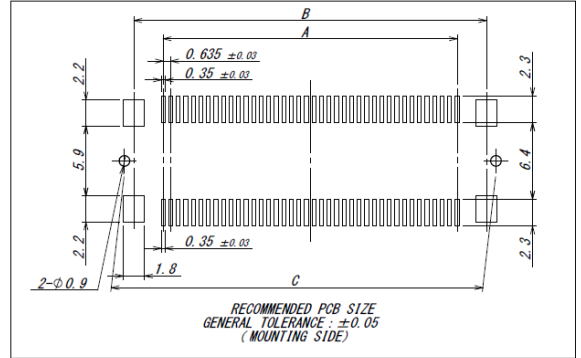
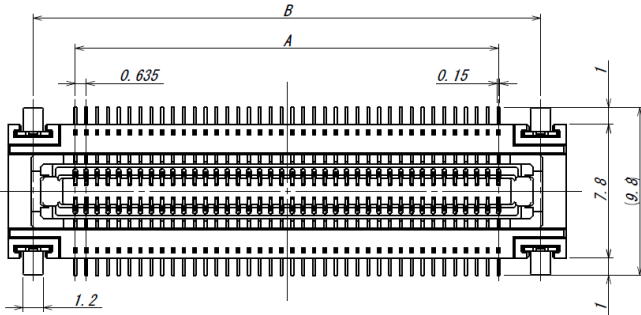
10104 SERIES

IMSA-10104S-**-□-□□

SERIES 10104 SOCKET

PRODUCT No.	BOSS
10104S-**-A-GFN1	Atype: WITH BOSS
10104S-**-B-GFN1	Btype: W/O BOSS

CKT	PRODUCT No.	A	B	C	D
60	10104S-60*-GFN1	18.415	23.350	24.950	26.310
80	10104S-80*-GFN1	24.765	29.700	31.300	32.660



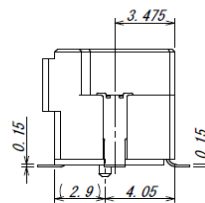
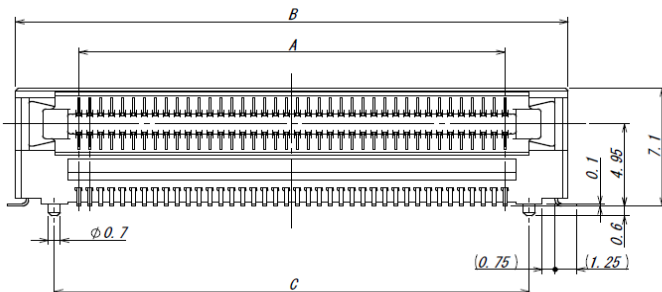
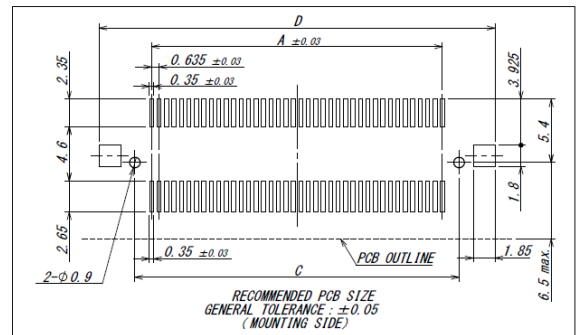
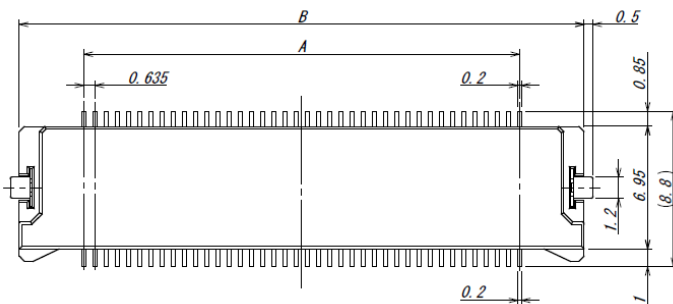
NOTE
1. COPLANARITY : 0.1mm MAX

IMSA-10104B-**-□-□□

SERIES 10104 PLUG

PRODUCT No.	BOSS
10104B-**-A-GFN1	Atype: WITH BOSS
10104B-**-B-GFN1	Btype: W/O BOSS

CKT	PRODUCT No.	A	B	C	D
60	10104B-60*-GFN1	18.415	25.750	21.250	27.350
80	10104B-80*-GFN1	24.765	32.100	27.600	33.700



NOTE
1. COPLANARITY : 0.1mm MAX

IRISO U.S.A., INC.

*Specification is subject to change without prior notice for improving performance of the product and so on.
*Dimension and specification described herein are limited to major items. When applying the products, please confirm details on drawing and specification sheets which will be provided upon request.

34405 West Twelve Mile Road, Suite 237 Farmington Hills, MI 48331, U.S.A.
TEL: 248-324-9780 FAX: 248-324-9783

info@irisoconnectors.com