

# 9639 SERIES

## Slider lock type FPC/FFC Connectors



- 0.5mm pitch SMT
- Slider lock (ZIF) Type
- Straight Type

The 9639 series is a 0.5mm-pitch SMT straight type FPC/FFC connector. This item is consisted with the slider lock structure which locks the card when inserted. Insertion force is low when the card is inserted, which refers to our Zero Insertion Force (ZIF) type. It is a high heat resistance(-40~+105°C) product and suitable for variety of industrial and automotive application.

### Features

- Slider lock type with clear tactile feel for better workability.
- High heat resistance(-40~+105°C) for variety of industrial and automotive application.
- Compliant with RoHS

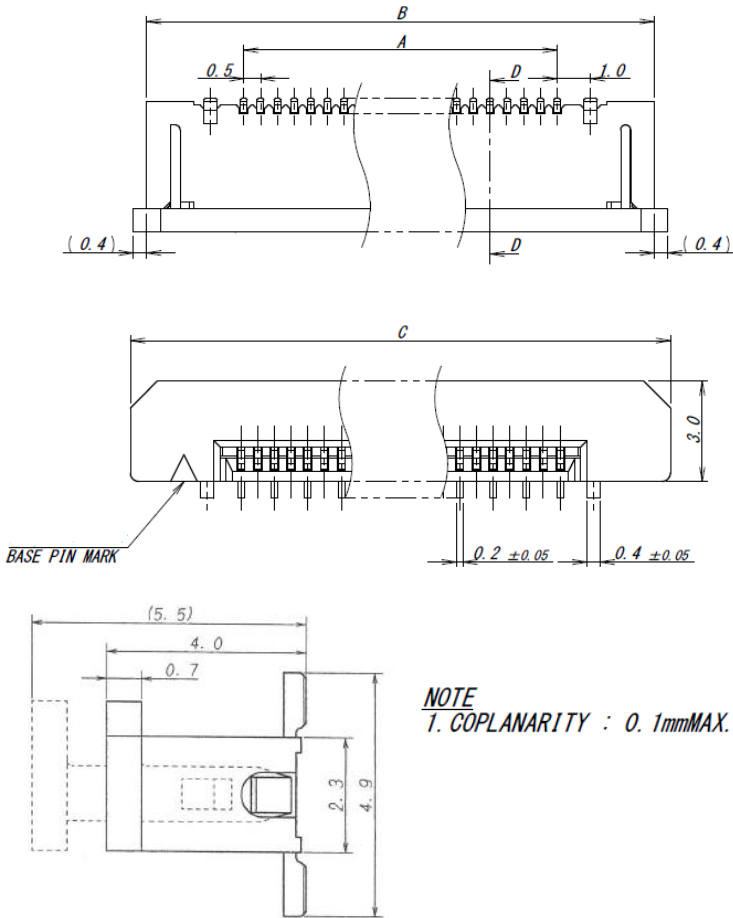
### Specifications

1 Series No.	9639
2 Pitch	0.5mm
3 No. of contact	H=4.00mm : 6~30P H=5.50mm : 31~60P
4 Connection type	Straight (ST)
5 Contact structure	Single
6 Product height	4.00mm/5.50mm
7 Current rating	0.5A
8 Voltage rating	50V (AC, DC)
9 D.W. voltage	AC250V (1min)
10 Insulation Resistance	100MΩ or more
11 Contact Resistance	30mΩ or below
12 Operating temperature	-40°C~+105°C
13 Plating	Au plating over Ni
14 FPC Thickness	0.3mm
15 Lock type	Slider lock

# 9639 SERIES

IMSA-9639S-\*\*-□-□□

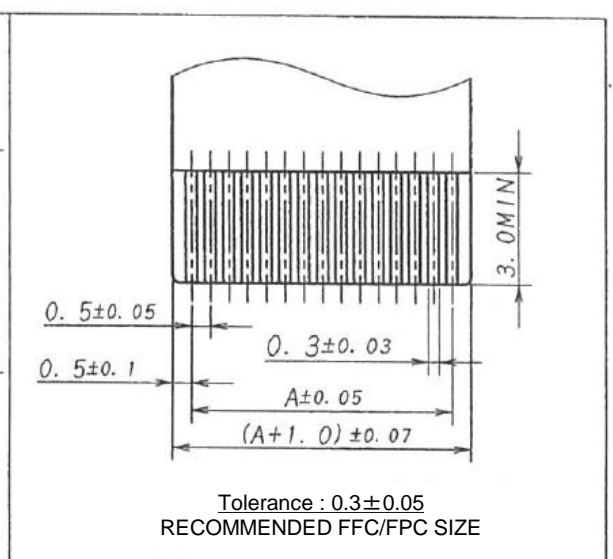
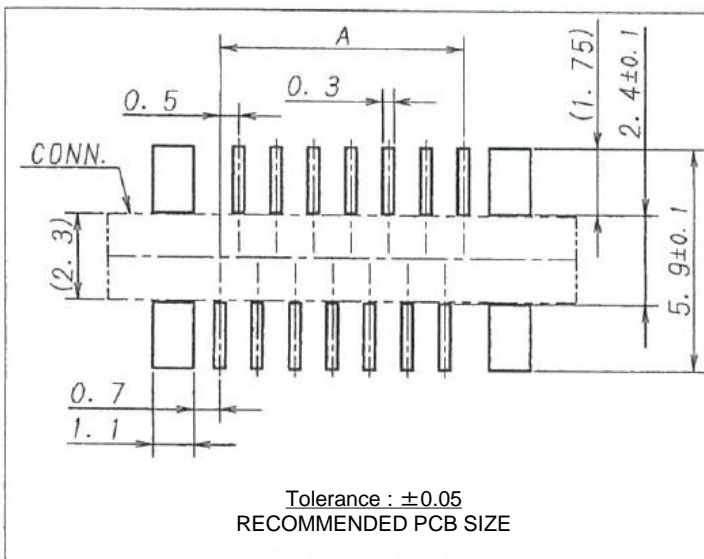
SERIES 9639 SOCKET



**NOTE**  
1. COPLANARITY : 0.1mmMAX.

CKT	PART No.	A	B	C
6	9639S-06Z01-GFN4	2.5	8.3	9.1
7	9639S-07Z01-GFN4	3.0	8.8	9.6
8	9639S-08Z01-GFN4	3.5	9.3	10.1
9	9639S-09Z01-GFN4	4.0	9.8	10.6
10	9639S-10Z01-GFN4	4.5	10.3	11.1
11	9639S-11Z01-GFN4	5.0	10.8	11.6
12	9639S-12Z01-GFN4	5.5	11.3	12.1
13	9639S-13Z01-GFN4	6.0	11.8	12.6
14	9639S-14Z01-GFN4	6.5	12.3	13.1
15	9639S-15Z01-GFN4	7.0	12.8	13.6
16	9639S-16Z01-GFN4	7.5	13.3	14.1
17	9639S-17Z01-GFN4	8.0	13.8	14.6
18	9639S-18Z01-GFN4	8.5	14.3	15.1
19	9639S-19Z01-GFN4	9.0	14.8	15.6
20	9639S-20Z01-GFN4	9.5	15.3	16.1
21	9639S-21Z01-GFN4	10.0	15.8	16.6
22	9639S-22Z01-GFN4	10.5	16.3	17.1
23	9639S-23Z01-GFN4	11.0	16.8	17.6
24	9639S-24Z01-GFN4	11.5	17.3	18.1
25	9639S-25Z01-GFN4	12.0	17.8	18.6
26	9639S-26Z01-GFN4	12.5	18.3	19.1
27	9639S-27Z01-GFN4	13.0	18.8	19.6
28	9639S-28Z01-GFN4	13.5	19.3	20.1
29	9639S-29Z01-GFN4	14.0	19.8	20.6
30	9639S-30Z01-GFN4	14.5	20.3	21.1

\*If there is any inquiries about No. of contacts, please contact us



**IRISO U.S.A., INC.**

\*Specification is subject to change without prior notice for improving performance of the product and so on.  
\*Dimension and specification described herein are limited to major items. When applying the products, please confirm details on drawing and specification sheets which will be provided upon request.

34405 West Twelve Mile Road, Suite 237 Farmington Hills, MI 48331, U.S.A.  
TEL:248-324-9780 FAX:248-324-9783

For More Info: [info@irisoconnectors.com](mailto:info@irisoconnectors.com)