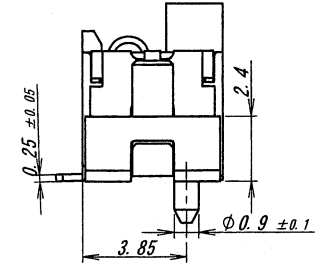


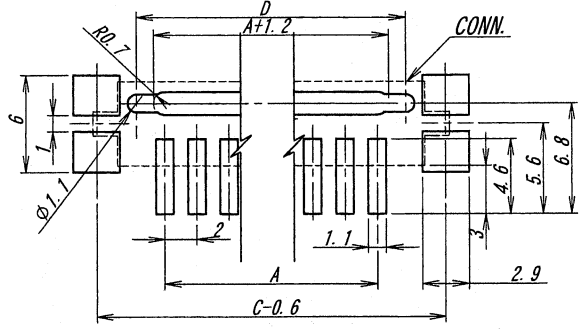
CKT	PARTS No.	A	B	C	D
6	9240S-06C-TS1	10.0	16.5	19.0	13.5
7	9240S-07C-TS1	12.0	18.5	21.0	15.5
8	9240S-08C-TS1	14.0	20.5	23.0	17.5
9	9240S-09C-TS1	16.0	22.5	25.0	19.5
10	9240S-10C-TS1	18.0	24.5	27.0	21.5
11	9240S-11C-TS1	20.0	26.5	29.0	23.5
12	9240S-12C-TS1	22.0	28.5	31.0	25.5
13	9240S-13C-TS1	24.0	30.5	33.0	27.5
14	9240S-14C-TS1	26.0	32.5	35.0	29.5
15	9240S-15C-TS1	28.0	34.5	37.0	31.5
16	9240S-16C-TS1	30.0	36.5	39.0	33.5
17	9240S-17C-TS1	32.0	38.5	41.0	35.5
18	9240S-18C-TS1	34.0	40.5	43.0	37.5
19	9240S-19C-TS1	36.0	42.5	45.0	39.5
20	9240S-20C-TS1	38.0	44.5	47.0	41.5
21	9240S-21C-TS1	40.0	46.5	49.0	43.5
22	9240S-22C-TS1	42.0	48.5	51.0	45.5
23	9240S-23C-TS1	44.0	50.5	53.0	47.5
24	9240S-24C-TS1	46.0	52.5	55.0	49.5
25	9240S-25C-TS1	48.0	54.5	57.0	51.5
26	9240S-26C-TS1	50.0	56.5	59.0	53.5
27	9240S-27C-TS1	52.0	58.5	61.0	55.5
28	9240S-28C-TS1	54.0	60.5	63.0	57.5
29	9240S-29C-TS1	56.0	62.5	65.0	59.5
30	9240S-30C-TS1	58.0	64.5	67.0	61.5



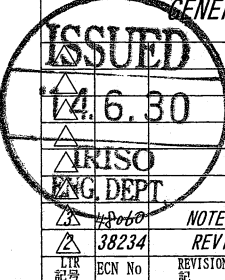
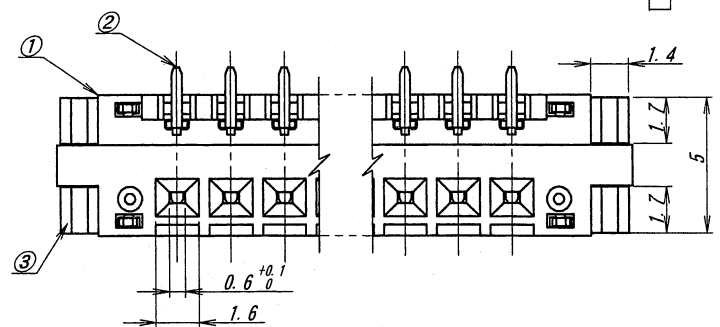
NOTE

1. 最大定格電圧電流 : 125V, 1A
2. 接触抵抗 : 20mΩ以下 (初期値にて)
3. 適合LCD端子径 : 0.3 (±0.05) × 0.5 (±0.1)
4. 端子の先端位置にて適用、金具の最下部にて適用。
5. 本製品は、錫系のめっきを施しておりますので、ウィスカーが発生する可能性があります。その為、ウィスカー発生に対する保証は困難であり、御社にて御判断の上御使用をお願いします。

1. MAXIMUM RATING VOLTAGE AND CURRENT : 125V, 1A
2. CONTACT RESISTANCE : 20mΩ MAX.
3. MATING LCD SQUARENESS : 0.3 (±0.05) × 0.5 (±0.1)
4. APPLIED TO THE TOP OF CONTACT AND THE END OF MOUNTING.
5. THIS PRODUCT UTILIZES LEAD-FREE TIN PLATING. ANY PRODUCT WITH LEAD-FREE TIN PLATING IS SUSCEPTIBLE TO TIN WHISKER. IRISO PROVIDES NO ASSURANCES AGAINST THE GROWTH OF TIN WHISKER EVEN UNDER NORMAL OPERATING CONDITIONS. CUSTOMERS ASSUME ALL RESPONSIBILITY FOR ANY PRODUCT FAILURES DUE SOLELY TO THE GROWTH OF TIN WHISKERS.



PCB SIZE (VIEW OF INSTALL SIDE)  
GENERAL TOLERANCES : ±0.05



MATERIAL 材質	
① ハウジング: ガラス入り6Tナイロン, GF30% UL94V-0, 自然色(アイボリー)	
② 端子: リン青銅	
③ 金具: 黄銅	
④ HOUSING: GLASS FILLED 6TNYLON, GF30%, UL94V-0, COLOR: NATURAL (IVORY)	
⑤ CONTACT: PHOSPHOR-BRONZE	
⑥ MOUNTING: BRASS	
FINISH 仕上げ	
⑦ 銅下地、中間鍍めつき (OVER Cu AND MIDDLE Sn PLATE): 0.5~2.0μm	
⑧ Sn-4.0Ag-1.0Cu めっき: 3~8μm	
⑨ 錫銅めっき (SnCu PLATE): 2~4μm (Cu: 1~3%)	

GENERAL TOLERANCES 一般公差	
DIM 寸法 ±	0.3
ANGLE 角度 ±	
3RD. ANG. PROJ. 三角法	

SCALE 尺度		UNIT 単位	
DR	14-6-26 Y. Hayashi	mm	
CHK	4/4 S. M. Takagi	DSN	'03-3-18 W. Jiang
IRISO ELECTRONICS CO., LTD		APP M. Tsubota	
I/I 電子工業株式会社			

TITLE 名称	
SERIES 9240 LCD SOCKET ③ 9240シリーズ LCD ソケット	
EDP No	
PARTS No 部番	③ IMSA-9240S-**C-TS1
DWG No 図番	③ 110-109240-009
REV.	3